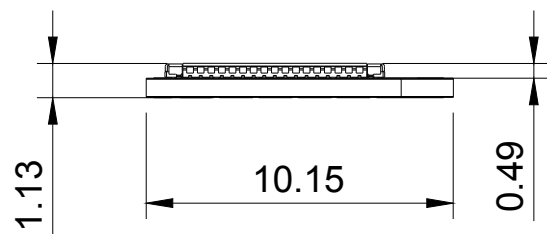
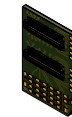
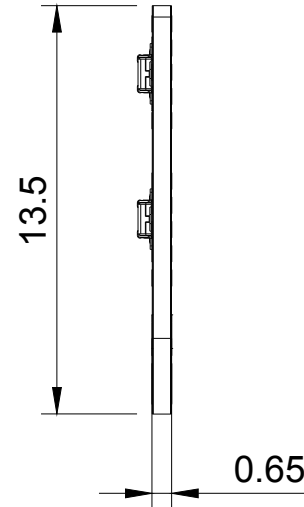
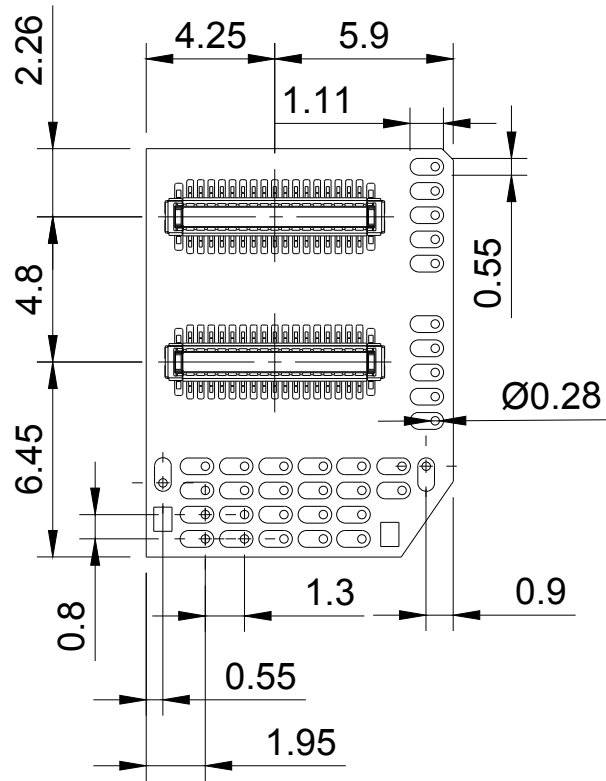


# MATERIALS & SPECIFICATIONS

Actual Size



Unit	mm	Tolerance	Created By	
SCALE	4:1	Up to 5 : +/-0.1	Jason Shen	
3RD ANGLE		5-10: +/-0.3	Approved By	
		10-15: +/-0.5	James Huang	
Product		Model	EIB_STIM Adapter	
DWG No.		Rev.	Date of issue	Sheet
		V1	08/01/2022	1

