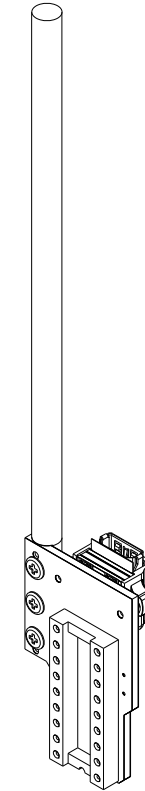
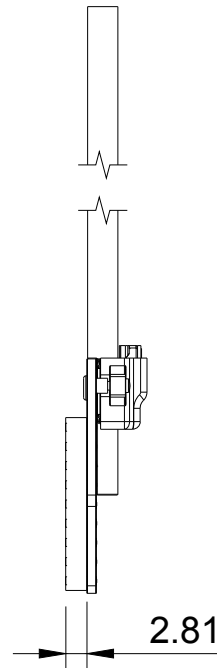
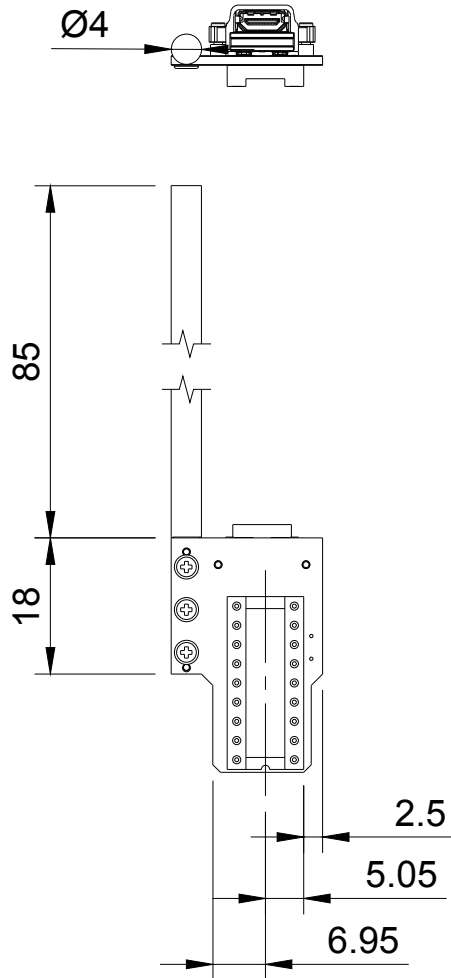


MATERIALS & SPECIFICATIONS

Actual Size with X-Head Stage

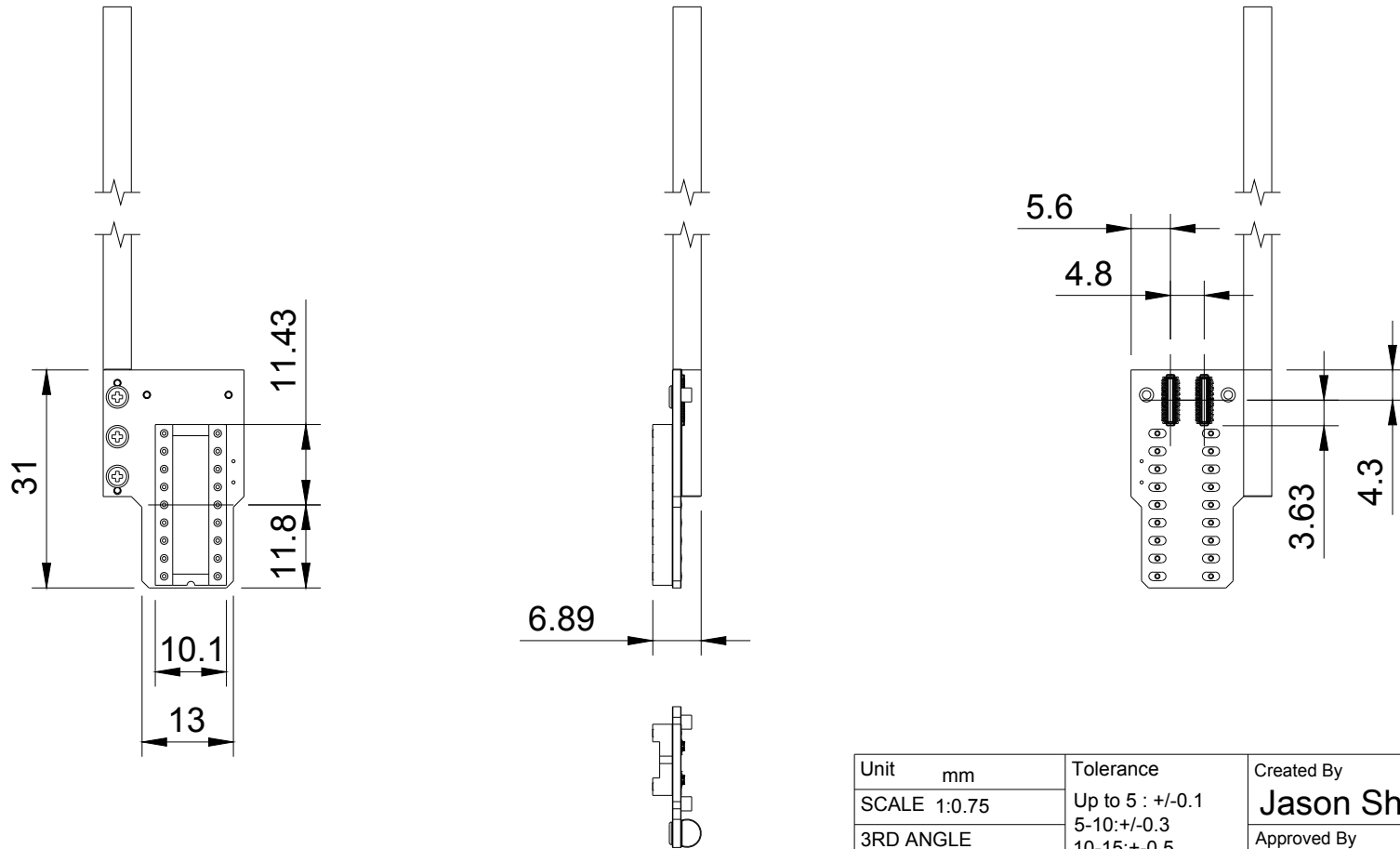


Unit	mm	Tolerance	Created By	
SCALE	1:0.75	Up to 5 : +/-0.1	Jason Shen	
3RD ANGLE		5-10: +/-0.3	Approved By	
		10-15: +/-0.5	James Huang	
Product		Model	Adpt-A16	
DWG No.		Rev.	Date of issue	Sheet
		V1	08/01/2022	1



MATERIALS & SPECIFICATIONS

Acute without X-Head Stage



Unit	mm	Tolerance	Created By	
SCALE	1:0.75	Up to 5 : +/-0.1	Jason Shen	
3RD ANGLE		5-10: +/-0.3	Approved By	
		10-15: +/-0.5	James Huang	
Product		Model	Adpt-A16	
DWG No.		Rev.	Date of issue	Sheet
		V1	08/01/2022	2

