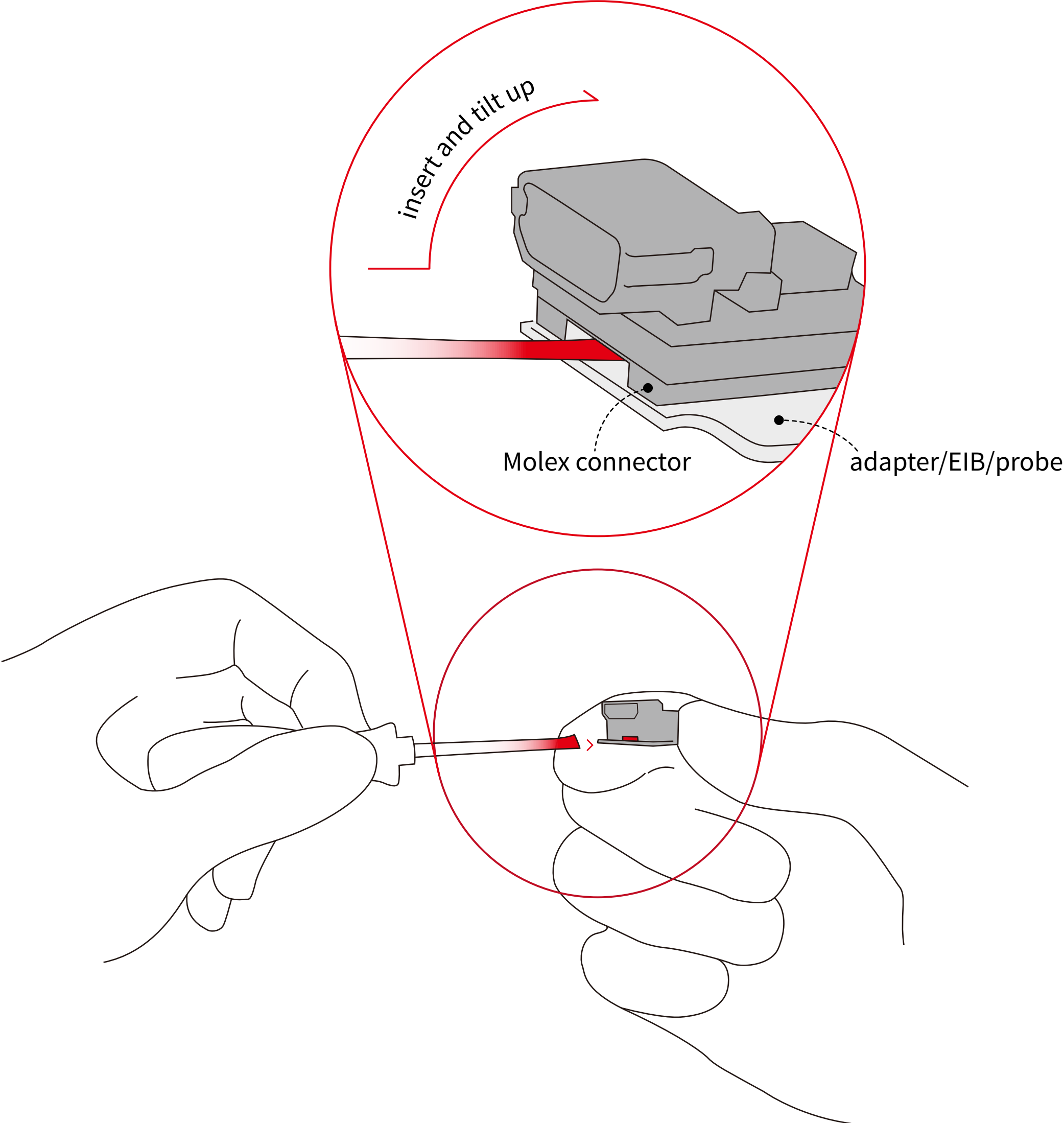
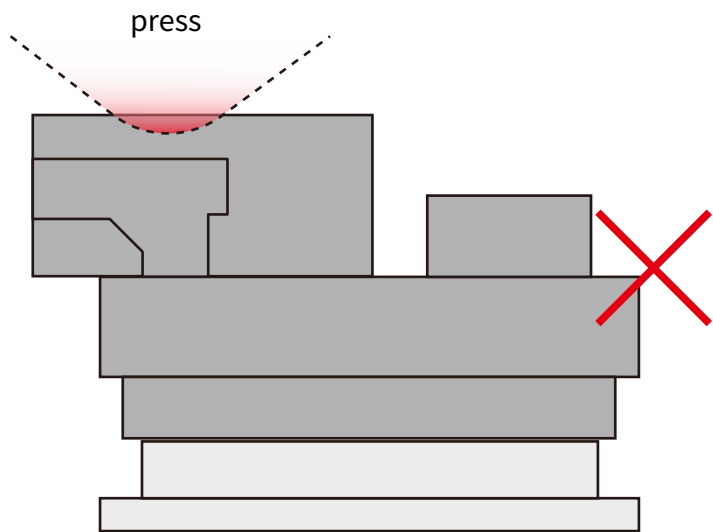


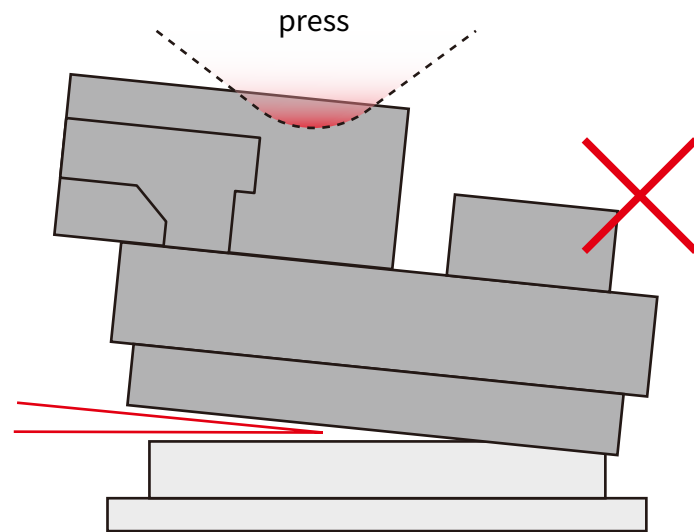
push the whole connector evenly in parallel

use flathead screwdriver(<0.5mm at the tip) as lever



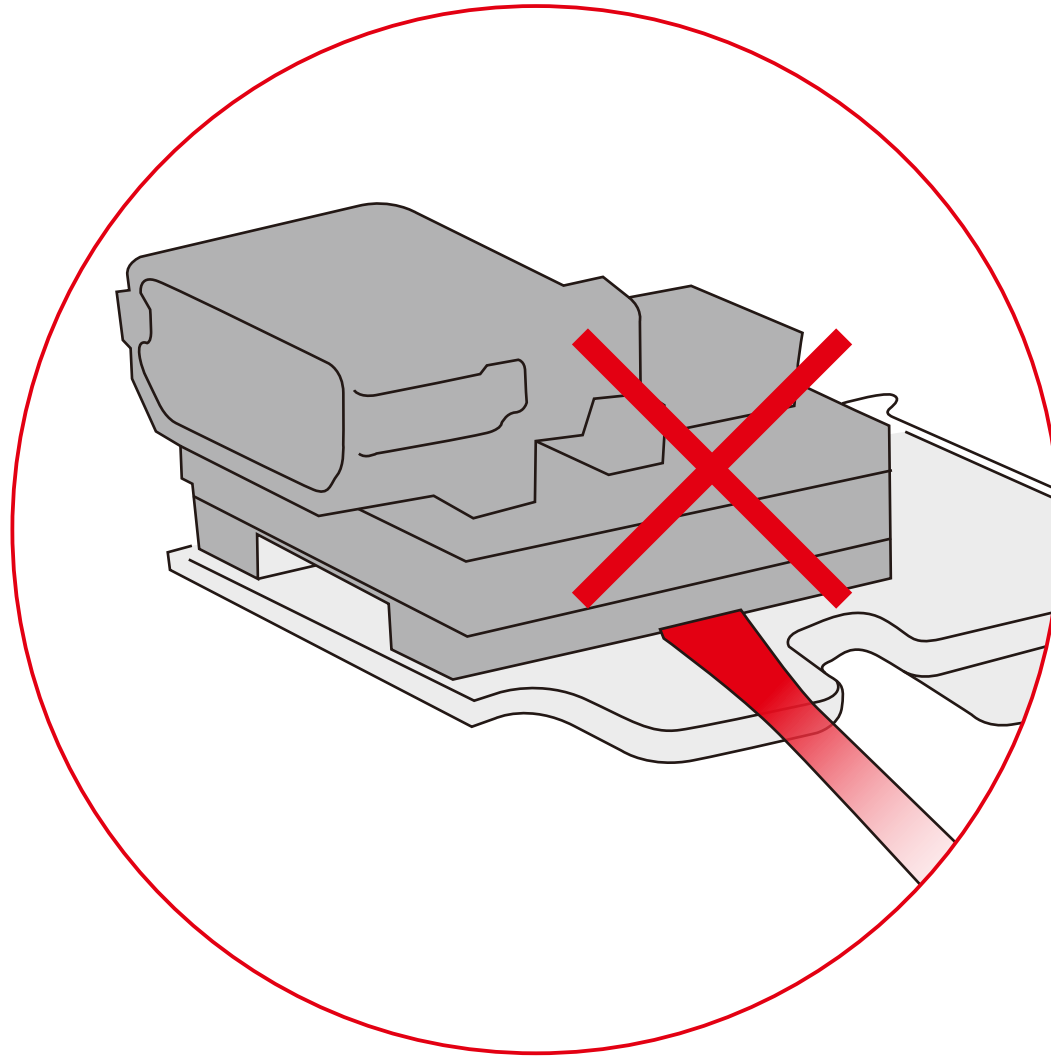


DO NOT push the only end of connector



DO NOT push when the connector is not parallel

Do not tilt from the side of X-Headstage



use flathead screwdriver(<0.5mm at the tip) as lever

