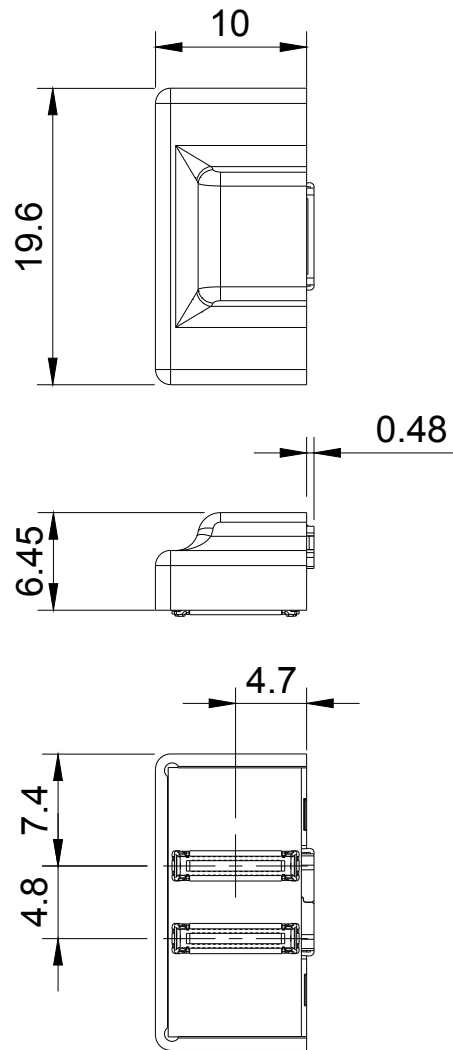
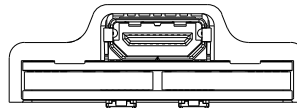
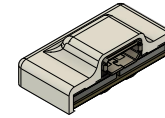


MATERIALS & SPECIFICATIONS



Actual Size



Unit	mm	Tolerance	Created By		
SCALE	2:1	Up to 5 : +/-0.1	Jason Shen		
3RD ANGLE		5-10: +/-0.3	Approved By		
		10-15: +/-0.5	James Huang		
Product		Model	X3SR64-HDMI-M		
DWG No.		Rev.	Date of issue	Sheet	
		V1			

